

Product data sheet

Characteristics

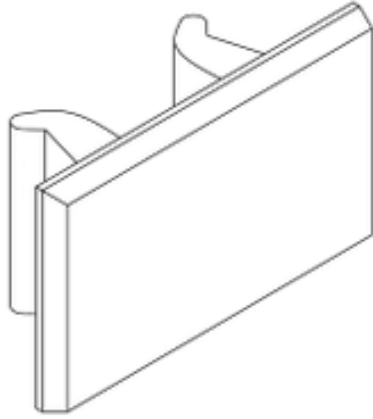
RSLZ5

Harmony, Clip-in legends, for RSL/SSL sockets, plastic



Product availability: Stock - Normally stocked in distribution facility

Price*: 5.61 USD



Main

Range of product	Harmony Solid State Relays Harmony Electromechanical Relays
Accessory / separate part category	Marking accessory
Product or component type	Legend

Complementary

Product compatibility	Socket RSLZ
Net Weight	0.00 Lb(US) (0.001 kg)

Ordering and shipping details

Category	21127 - ZELIO ICE CUBE RELAYS
Discount Schedule	CP2
GTIN	03606480078125
Nbr. of units in pkg.	1
Package weight(Lbs)	0.49 Oz (14 g)
Returnability	Yes
Country of origin	CN

Packing Units

Unit Type of Package 1	PCE
Package 1 Height	0.20 In (0.5 cm)
Package 1 width	5.31 In (13.5 cm)
Package 1 Length	3.35 In (8.5 cm)
Unit Type of Package 2	BB1
Number of Units in Package 2	2
Package 2 Weight	1.06 Oz (30 g)
Package 2 Height	0.39 In (1 cm)
Package 2 width	3.54 In (9 cm)
Package 2 Length	5.39 In (13.7 cm)

Offer Sustainability

Sustainable offer status	Green Premium product
California proposition 65	WARNING: This product can expose you to chemicals including: Nickel compounds, which is known to the State of California to cause cancer, and Di-isodecyl phthalate (DIDP), which is known to the State of California to cause birth defects or other reproductive harm. For more information go to www.P65Warnings.ca.gov
REACH Regulation	REACH Declaration
REACH free of SVHC	Yes
EU RoHS Directive	Pro-active compliance (Product out of EU RoHS legal scope) EU RoHS Declaration
Toxic heavy metal free	Yes
Mercury free	Yes
RoHS exemption information	Yes
China RoHS Regulation	China RoHS Declaration
Environmental Disclosure	Product Environmental Profile
Circularity Profile	End Of Life Information

Contractual warranty

Warranty	18 months
----------	-----------

Product Life Status : **Commercialised**